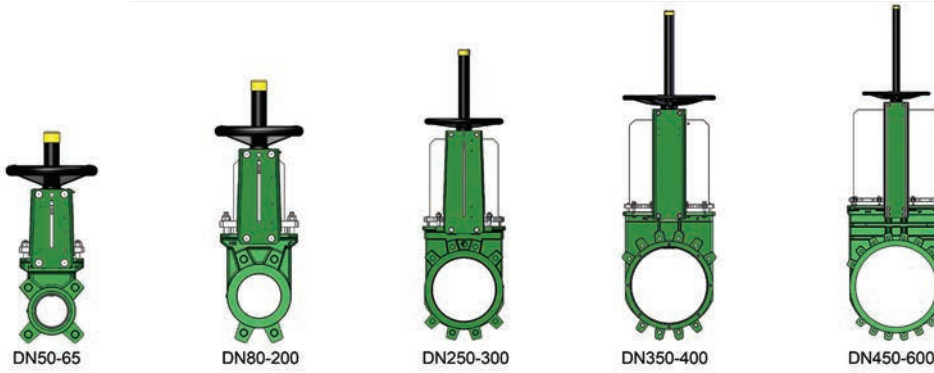


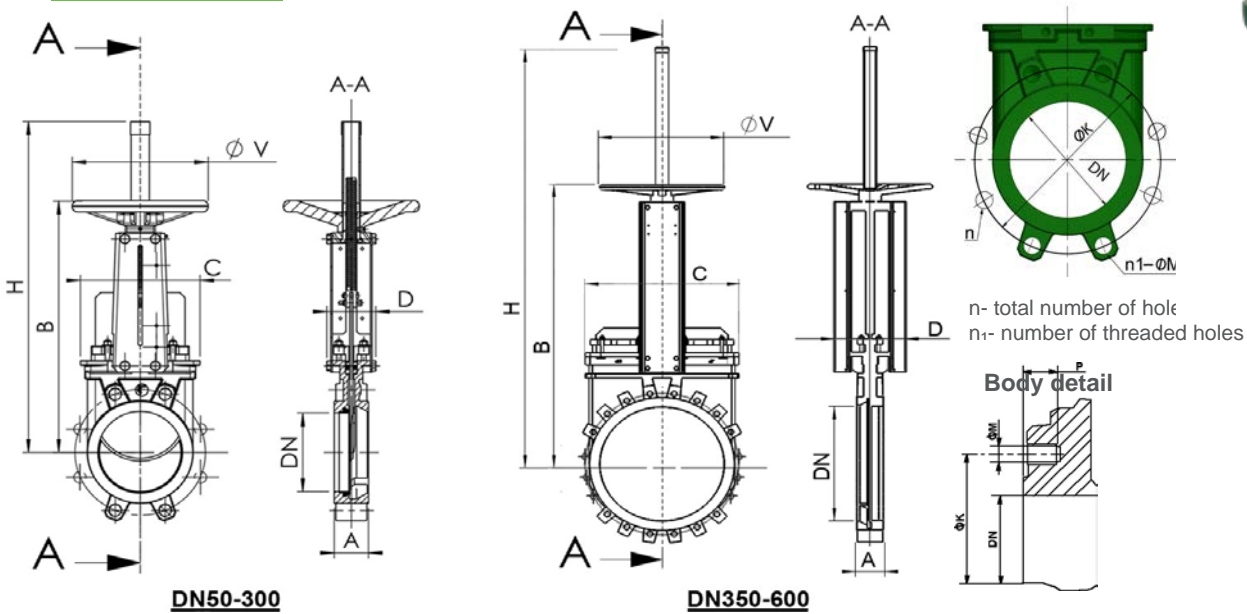
# Knife Gate Valves

## Ductile Iron Body

**Also SS Body**  
**Electric & Pneumatic**  
**Options**



### DIMENSIONS



**EPDM Seals to 120C**  
**NBR Seals to 80C**

**Blade in SS304**

### MOUNTING DIMENSIONS

DN		A	B	C	D	ØV	H	Maxi pressure (bar)	n	n-ØM	P	ØK	Weight (kg)
mm	inch												
50	2"	40	283	124	83	200	348	10	4	4xM16	8	125	7,5
65	2 1/2"	40	308	139	83	200	388	10	4	4xM16	8	145	9
80	3"	50	333	154	83	200	413	10	8	4xM16	9	160	10
100	4"	50	378	174	83	200	488	10	8	4xM16	9	180	11,5
125	5"	50	423	189	93	250	564	10	8	4xM16	9	210	15,5
150	6"	60	474	220	93	250	635	10	8	4XM20	10	240	18,5
200	8"	60	593	275	108	310	809	10	8	4XM20	12	295	35
250	10"	70	685	326	108	310	946	10	12	8XM20	12	350	47
300	12"	70	792	380	108	310	1118	7	12	8XM20	19	400	61
350	14"	96	900	438	290	500	1282	7	16	10XM24	20	460	117
400	16"	100	978	494	290	500	1441	7	16	10XM24	24	515	151
450	18"	106	1105	547	290	500	1587	7	20	14XM24	24	565	187
500	20"	110	1215	613	290	500	1809	4	20	14XM24	24	620	205
600	24"	110	1418	716	290	500	2060	4	20	14XM27	24	725	292

Dimension A - face to face according to standard

<b>Design</b>	Manufacture according to the requirements of the European directive n° 2014/68/UE «Equipment under pressure» : modulate H. In option: product conform to European directive ATEX «ATmosphère EXplosive» n° 2014/34/UE.					
<b>Face to face</b>	Face to face dimension according to standard					
<b>Connection</b>	Mounting between flanges in accordance with EN1092-2 and DIN 2501 : ISO PN10					
<b>Tests</b>	Pressure test according to standards EN12266-1, DIN 3230, BS 5154 and ISO 5208.					
	DN	Body	Seat	DN	Body	Seat
	DN50-250 :	15 bar	11 bar	DN300-450:	10.5 bar	7.7 bar
	DN500-600:	6 bar	4.4 bar			

