



PLASTIC FLOAT-VALVE PVC-U



FEATURES

The plastic float valve is intended for current valve applications. This valve is used to control the upper level in a water, acid, or basic* fluid tank. His PE float follows the level by acting upon the valve opening

AVAILABLE VERSIONS

Body gasket: PVC-U Float:

PE

Gaskets: EPDM Diameter:

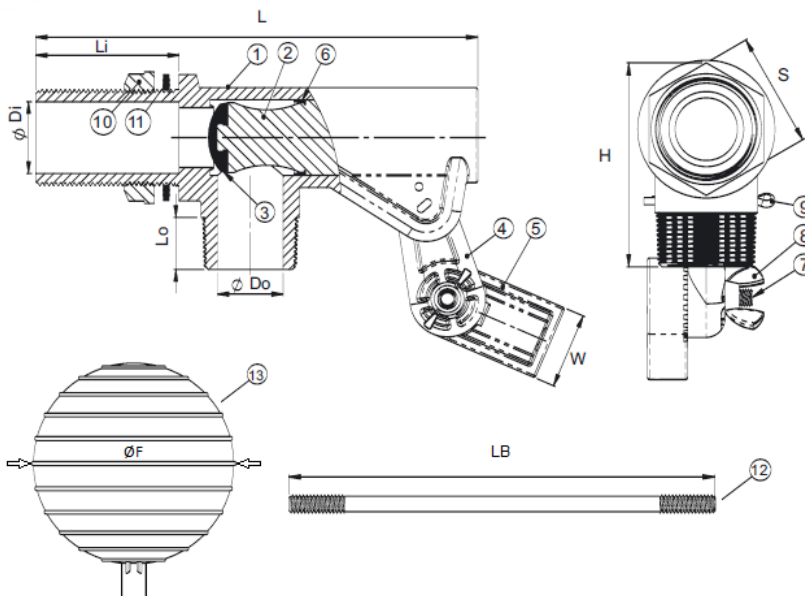
G 1/2" to G 3" G-thread connection (BSP)



LIMITS OF USE

DN	1/2" to 1"1/4	1"1/2 to 3"
WP	10 bar	5 bar
WT°	+0°C to +60°C	+0°C to +60°C

DIMENSIONS (mm)



1	Body	PVC-U
2	Disc	PVC-U
3	Seat	EPDM/FPM
4	Notch lever	PVC-U
5	Support	PVC-U
6	Gaskets	EPDM/FPM
7	Nut	AISI 304
8	Bolt	AISI 304
9	Pin	AISI 304
10	Nut	PVC-U
11	Gaskets	EPDM/FPM
12	Stem	AISI 304
13	Float	Polyethylene

DN	H	S	W	LB	ØF
1/2 "	55.5	35	18	200	125
3/4 "	55.5	35	19.2	200	125
1 "	72.7	45	25.5	200	150
1"1/4	90.6	55	38.1	300	250
1"1/2	91	55	38.1	300	250
2 "	125.9	75	50	450	300
2"1/2	170.8	130	75	525	375
3 "	172.3	130	75	525	375

DN	ØDi	ØDo	L	Li	Lo	DN	ØDi	ØDo	L	Li	Lo
1/2 "	13	13	79.8	30	19.8	1"1/2	36	33	176	70	26
3/4 "	19	18	90	40	20	2 "	47	47	207.9	72	26.9
1 "	22	22	123	48	20	2"1/2	52	53	313	100	40
1"1/4	31	33	175.6	60	25.6	3 "	65	66	314.5	105	41.5

Information given as an indication only, and subject to possible modifications

Everyvalve Ltd
Tel:- 01707-642018
Email:- sales@everyvalve.com

Pages	1/1
Ref.	FT62R-RF1 ENG
Rev.	03
Date	12/2019